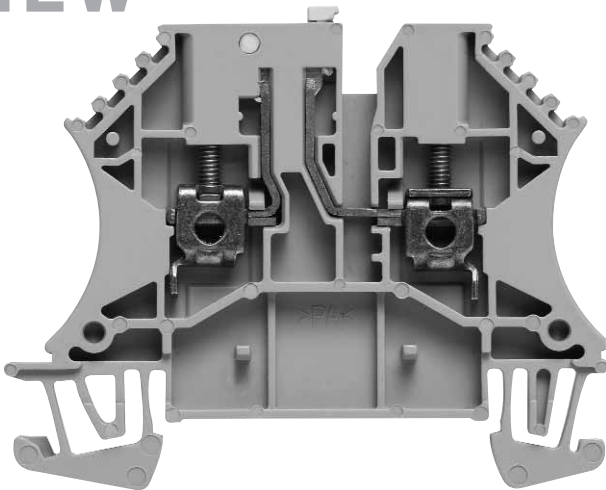


Disconnect Terminals with Screw (Clamping Yoke) Connection Technology WTR 2.5

NEW



Disconnect test terminals are specially designed for test and measurement tasks. Electrical circuits can be disconnected from the supply by means of their disconnect lever: an advantage for quick troubleshooting.

The new WTR terminals are now equipped with even more functionalities. The disconnect lever area allows you to carry out the disconnection by means of either the lever or a pull pin (TNST).

ZQV 2.5N pluggable cross-connections enable time and cost-saving feed-through of potentials to adjacent terminals. System accessories increase the range of possible applications: for example the fuse holder SIHA is all that is needed to create a fuse terminal. The component plug holder (BEST) converts the WTR into a component terminal. The integrated test point for 2.3 mm test plugs guarantee continued readings of potentials.

United States

Weidmüller
821 Southlake Blvd.
Richmond, Virginia 23236
Telephone: (800) 849-9343
Facsimile: (804) 379-2593
Email: info@weidmuller.com
Website: www.weidmuller.com

Canada

Weidmüller, Canada
10 Spy Court
Markham, Ontario L3R 5H6
Telephone: (800) 268-4080
Facsimile: (905) 475-2798
Email: info1@weidmuller.ca
Website: www.weidmuller.ca

Mexico

Weidmüller, Mexico
Ave. Ingenieros Civiles 204-B
Conjunto Industrial Chachapa
Chachapa Amozoc, Puebla
72990, Mexico
Telephone: 01 222 2866246/47/48
Facsimile: 01 222 2866242

Disconnect terminals

WTR 2.5

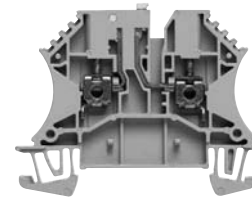
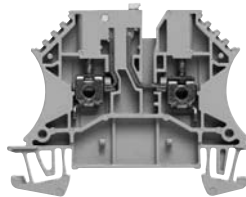
2.5 mm²

WTR 2.5 StB

2.5 mm²

With clamping screw

With socket



Width/Length/Height with TS35x7.5 mm
 Max. current / max. cond. cross-section A/mm²
 Max. clamping range mm²

5.1 x 60 x 49
24 / 4
0.05 ... 4



5.1 x 60 x 49
24 / 4
0.05 ... 4



Technical data

Rated data	
Rated voltage feed through terminal	V
Rated current	A
Rated cross-section	AWG
Rated impulse voltage / Pollution severity	kV/-
Plug gauge IEC 60-947-1 / flammability class acc. UL94	
Approvals	

IEC 60947-7-1 / VDE 0100-537

IEC	UL	CSA	EN 50019
500	600	600	
24	20	20	
2.5 mm ²	30 ... 12	30 ... 12	
6 / 3			
A3 / V-0			



Clampable conductors (H05V/H07V)

Solid / stranded	mm ²
Flexible / flexible w. wire end ferrule	mm ²
Tightening torque range (clamping screw)	Nm
Stripping length / blade size	mm / -

Rated connection

0.5...4 / 1.5...4
0.5...4 / 0.5...2.5
0.4...0.8 (M2.5)
10 / 0.6 x 3.5

0.5...1.5
0.5...1.5 / 0.5...1.5

IEC 60947-7-1 / VDE 0100-537

IEC	UL	CSA	EN 50019
500	300	300	
24	20	20	
2.5 mm ²	30 ... 12	30 ... 12	
6 / 3			
A3 / V-0			



Rated connection

0.5...4 / 1.5...4
0.5...4 / 0.5...2.5
0.5...0.6 (M3)
10 / 0.6 x 3.5

0.5...1.5
0.5...1.5 / 0.5...1.5

Information

Ordering data


Version	
	dark beige Wemid
	blue Wemid
	Without disconnecter, dark beige Wemid

Type	Qty.	Part No.
WTR 2.5	100	1855610000
WTR 2.5 BL	100	8731640000
WTR 2.5/O. TNHE	100	8731700000

Type	Qty.	Part No.
WTR 2.5 STB2.3	100	1855620000
WTR 2.5 STB2.3 BL	100	8731660000
WTR 2.5/O. TNHE STB2.3	100	8731670000

Information

Accessories

Cross-connection, pluggable	
	2-pole
	3-pole
	4-pole
	10-pole

(ZQV 2.5N/4)

End plate / partition	
End plate	dark beige Wemid
Partition	dark beige Wemid

End bracket	
	dark beige

Screwdriver	
	Standard version

Test plug	
	Test plug diameter 2.3 mm

Holder for fuse cartridges 5 x 20mm	
	400V ac/dc. without LED
	10 - 36V ac/dc. red LED
	140 - 250V ac/dc. red LED

Component plug (up to 250V)	
reversible	standard
	with wire bridge
	with diode 1N4007

Isolating plug	
	yellow Wemid

Marking systems	
	Tags

Type	Current [A]	Qty.	Part No.
ZQV 2.5N/2 GE	24	60	1693800000
ZQV 2.5N/3 GE	24	60	1693810000
ZQV 2.5N/4 GE	24	60	1693820000
ZQV 2.5N/10 GE	24	20	1693880000

Width [mm]			
WAP 2.5-10	1.5	50	1050000000
WAP 16+35 WTW 2.5-10	1.5	20	1050100000

Width [mm]			
WEW-35/2	8	100	1061200000

SD 0.6X3.5X100	10	9008330000
----------------	----	------------

PS 2.3 RT	20	0180400000
-----------	----	------------

SIHA 3/G20	25	7921560000
SIHA 3/G20/LD 10-36V	25	7921570000
SIHA 3/G20/LD 140-250V	25	7921600000

BEST	25	1833100000
BEST/DRBR	25	1878570000
BEST/D	25	1878560000

TNST	25	1833090000
------	----	------------

WS 12/5 / DEK 5

Type	Current [A]	Qty.	Part No.
ZQV 2.5N/2 GE	24	60	1693800000
ZQV 2.5N/3 GE	24	60	1693810000
ZQV 2.5N/4 GE	24	60	1693820000
ZQV 2.5N/10 GE	24	20	1693880000

Width [mm]			
WAP 2.5-10	1.5	50	1050000000
WAP 16+35 WTW 2.5-10	1.5	20	1050100000

Width [mm]			
WEW-35/2	8	100	1061200000

SD 0.6X3.5X100	10	9008330000
----------------	----	------------

PS 2.3 RT	20	0180400000
-----------	----	------------

SIHA 3/G20	25	7921560000
SIHA 3/G20/LD 10-36V	25	7921570000
SIHA 3/G20/LD 140-250V	25	7921600000

BEST	25	1833100000
BEST/DRBR	25	1878570000
BEST/D	25	1878560000

TNST	25	1833090000
------	----	------------

WS 12/5 / DEK 5
